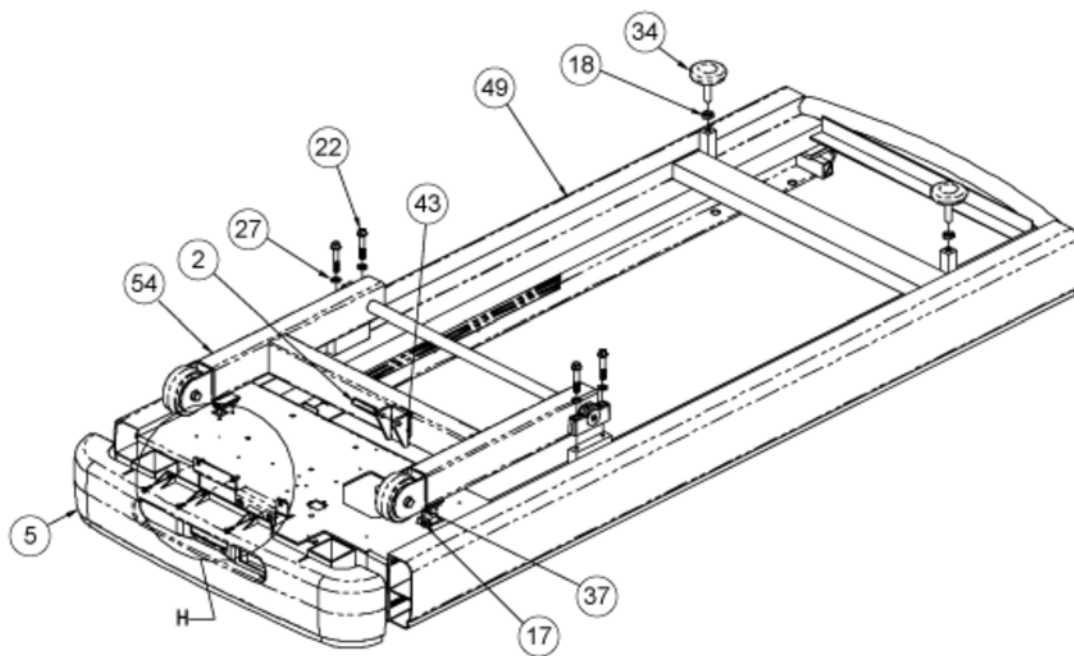


CARDIO • Treadmill • E Series Treadmill • E-TR

# Base Frame Assy Bottom



Diagram ID: 715-3736-000-AP-2  
Rev: C



SEE DETAIL VIEWS FOR BASE FRAME ASSY

Assembly diagrams show exploded views of parts and products. Some parts not available separately.

## Base Frame Assy Bottom

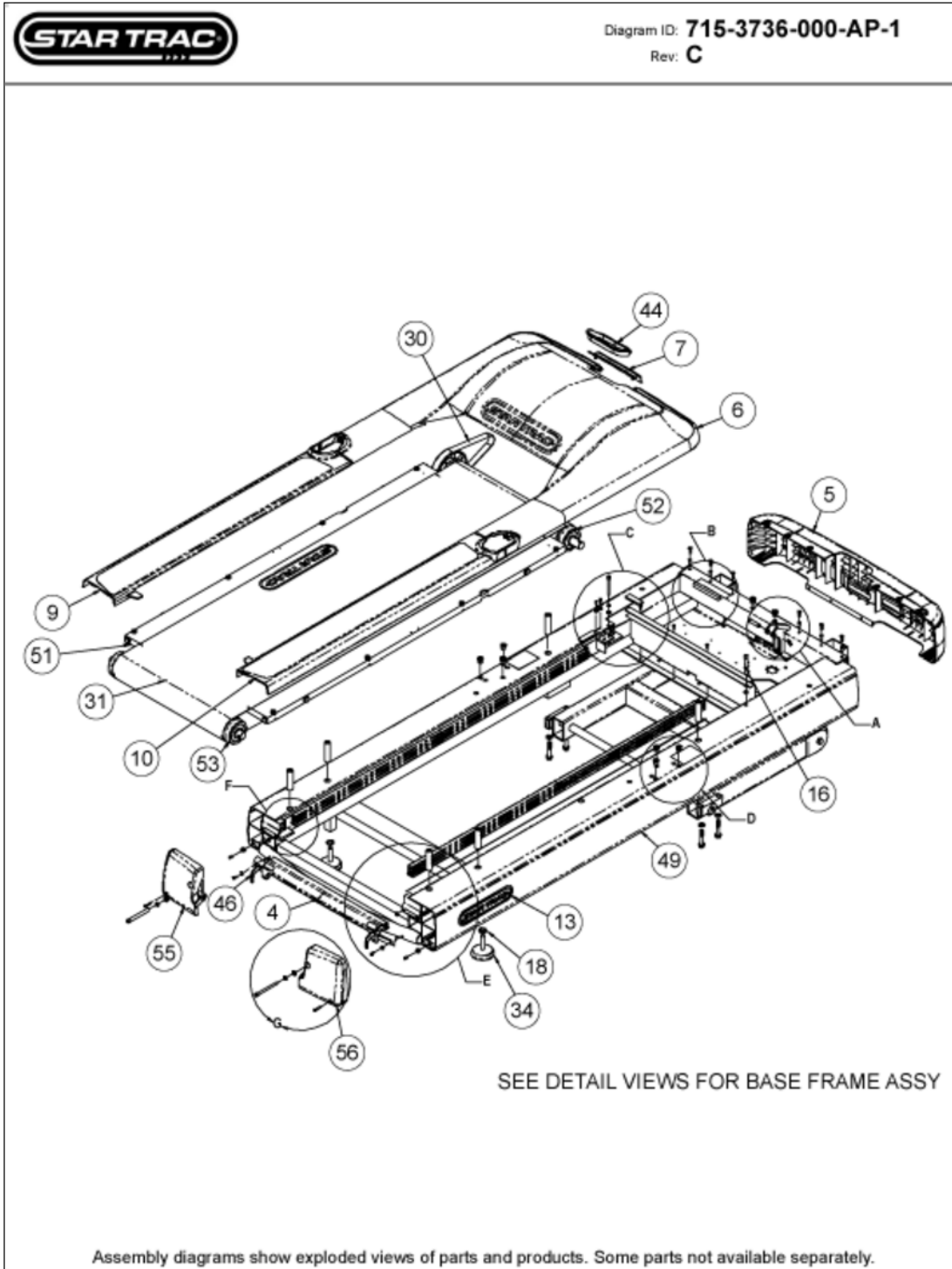
Callout	Part Number:	Description
2	<a href="#">020-6288</a>	PIN, CLEVIS, 3/8 X 2.5
5	<a href="#">020-7234</a>	FRONT CAP, ETR
17	<a href="#">110-1770</a>	<b>*OBSOLETE*</b>
18	<a href="#">110-1823</a>	NUT, 1/2-13X5/16" JAM
22	<a href="#">110-3428</a>	BOLT, 3/8-16X2.25X1HEX, FLANGE
27	<a href="#">120-0460</a>	WASHER, 3/8" LOCK
34	<a href="#">140-3200</a>	ADJUSTABLE FOOT, 1/2-13X3.0"
37	<a href="#">140-3397</a>	BUMP STOP, W/THREADED STUD
43	<a href="#">140-3415</a>	CLIP, CLEVIS PIN, 3/8
49	<a href="#">710-3139</a>	FRAME, PAINTED, ETR SERIES
54	<a href="#">715-3738</a>	ASSY, SUB, ELEVATION, ETR

Parts are subject to availability. Part pricing may change with or without notice.  
Check the Star Trac Support Website <http://support.startrac.com> for current part pricing.

October 23, 2009

CARDIO • Treadmill • E Series Treadmill • E-TR

# Base Frame Assy Top



## Base Frame Assy Top

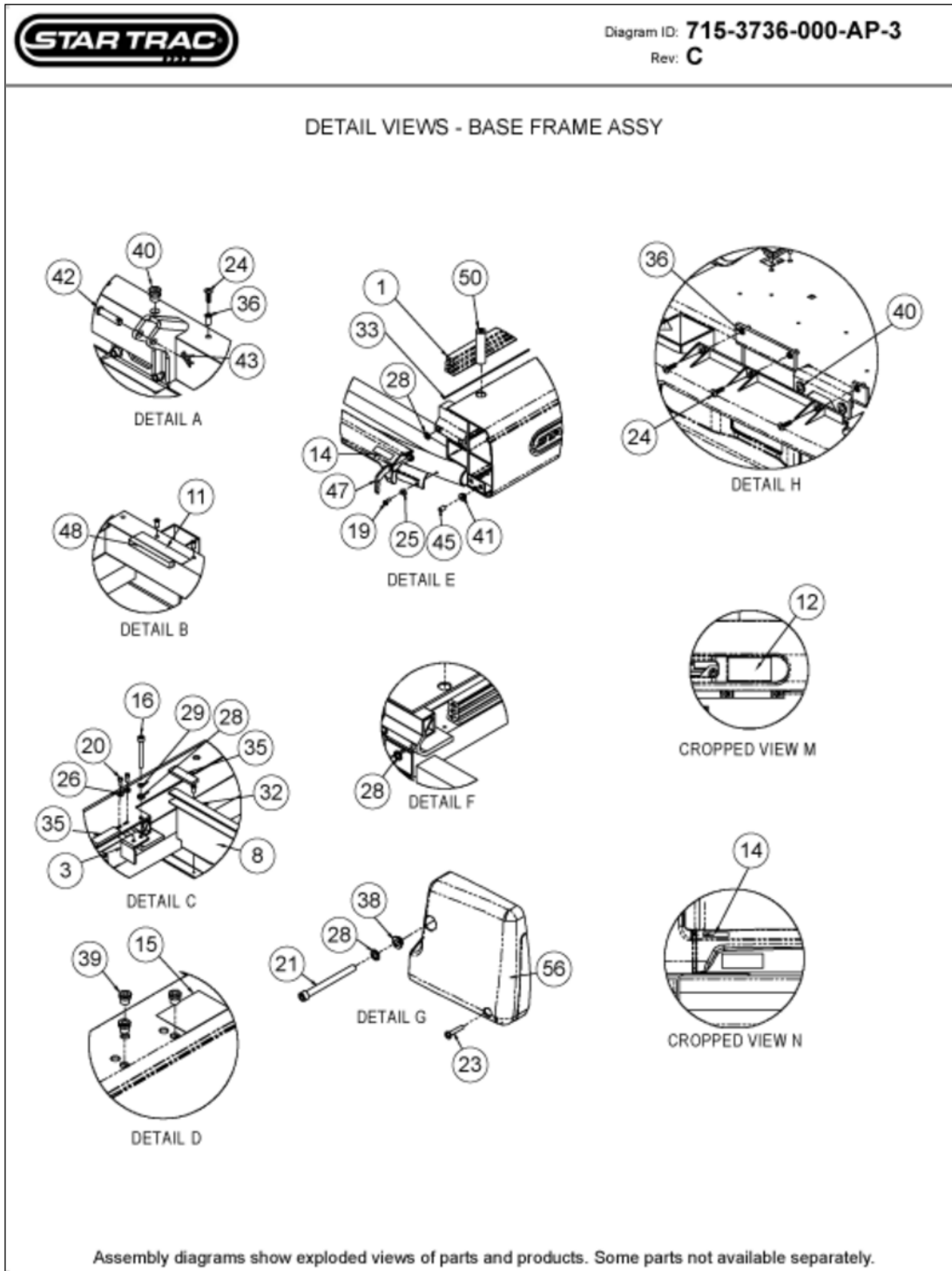
Callout	Part Number:	Description
4	<a href="#">020-7224</a>	COVER, PLASTIC, TAIL, CENTER,
5	<a href="#">020-7234</a>	FRONT CAP, ETR
6	<a href="#">020-7243</a>	SHROUD, MOTOR, ETR
7	<a href="#">020-7253</a>	CAP, MOTOR SHROUD, TR
9	<a href="#">020-7300-01</a>	COVER, SIDERAIL, LEFT
10	<a href="#">020-7300-02</a>	COVER, SIDERAIL, RIGHT
13	<a href="#">050-2153</a>	LABEL, STARTRAC, 246.5MMX58.7
16	<a href="#">110-0675</a>	SCREW, 5/16-18X2.5" SHCS
18	<a href="#">110-1823</a>	NUT, 1/2-13X5/16" JAM
30	<a href="#">130-0120</a>	BELT, DRIVE, 260J10, POLY-V
31	<a href="#">130-1708</a>	BELT, RUNNING, WAXLESS, PRO TR
34	<a href="#">140-3200</a>	ADJUSTABLE FOOT, 1/2-13X3.0"
44	<a href="#">140-3428</a>	GROMMET, NECK, 6X2, TR, OX
46	<a href="#">140-3447-01</a>	SPACER, FOAM, TAIL CAP, LT,E-TR
49	<a href="#">710-3139</a>	FRAME, PAINTED, ETR SERIES
51	<a href="#">800-3984</a>	DECK, DBL-SIDED, WAXLESS, PRO
52	<a href="#">715-3694</a>	ASSY, ROLLER, HEAD, FLAT, 88MM
53	<a href="#">715-3695</a>	ASSY, ROLLER, TAIL, FLAT, 88MM
55	<a href="#">715-3848-01</a>	<b>*ALT* USE PART # 715-3848-01-KT</b>
56	<a href="#">715-3848-02</a>	ASSY, PLASTICS, TAIL CAP, RT,ETR

Parts are subject to availability. Part pricing may change with or without notice.  
Check the Star Trac Support Website <http://support.startrac.com> for current part pricing.

October 23, 2009

# CARDIO • Treadmill • E Series Treadmill • E-TR

## Detail View Base Frame Assy



## Detail View

### Base Frame Assy

Callout	Part Number:	Description
1	<a href="#">010-3106</a>	DECK RUBBER, 53.5"
3	<a href="#">020-6388</a>	BRKT, DECK STOP
8	<a href="#">020-7143</a>	HANDLE, QUICK RELEASE, TENSION
11	<a href="#">020-7271</a>	SHIELD, DUST, TR
12	<a href="#">020-7276</a>	BRACKET, DECK RETENTION, REAR
14	<a href="#">050-2041</a>	LOGO, STARTRAC, VLAD
15	<a href="#">050-2166</a>	LABEL, DECK DIS-ASSY NOTE
16	<a href="#">110-0675</a>	SCREW, 5/16-18X2.5" SHCS
19	<a href="#">110-3026</a>	SCREW, 10-24X3/4" PHTCS
20	<a href="#">110-3109</a>	SCREW, 10-24X1/2" SHCS
24	<a href="#">110-3450</a>	SCREW, 10-24X3/4", TRUSS HEAD
26	<a href="#">120-0341</a>	WASHER, #10 FLAT SAE
28	<a href="#">110-3450</a>	SCREW, 10-24X3/4", TRUSS HEAD
29	<a href="#">120-0341</a>	WASHER, #10 FLAT SAE
32	<a href="#">120-0496</a>	WASHER, 5/16" LOCK
35	<a href="#">130-1756</a>	BUSHING, FLANGED, BRONZE,
36	<a href="#">140-3340</a>	RIVET NUT, #10-24, 130"-.225"
39	<a href="#">140-3408</a>	RIVET, NUT, #5/16-18, PANEL
40	<a href="#">140-3340</a>	RIVET NUT, #10-24, 130"-.225"
42	<a href="#">140-3411</a>	PIN, CLEVIS, 3/8X1-5/8
43	<a href="#">140-3415</a>	CLIP, CLEVIS PIN, 3/8
46	<a href="#">140-3447-01</a>	SPACER, FOAM, TAIL CAP, LT,E-TR
47	<a href="#">140-3447-02</a>	SPACER, FOAM, TAIL CAP, RT,E-TR
48	<a href="#">140-3456</a>	SPACER, 1/2X7/16, RUBBER
50	<a href="#">715-3196</a>	DELRIN STOP ROD W/SCREW

Parts are subject to availability. Part pricing may change with or without notice.  
Check the Star Trac Support Website <http://support.startrac.com> for current part pricing.

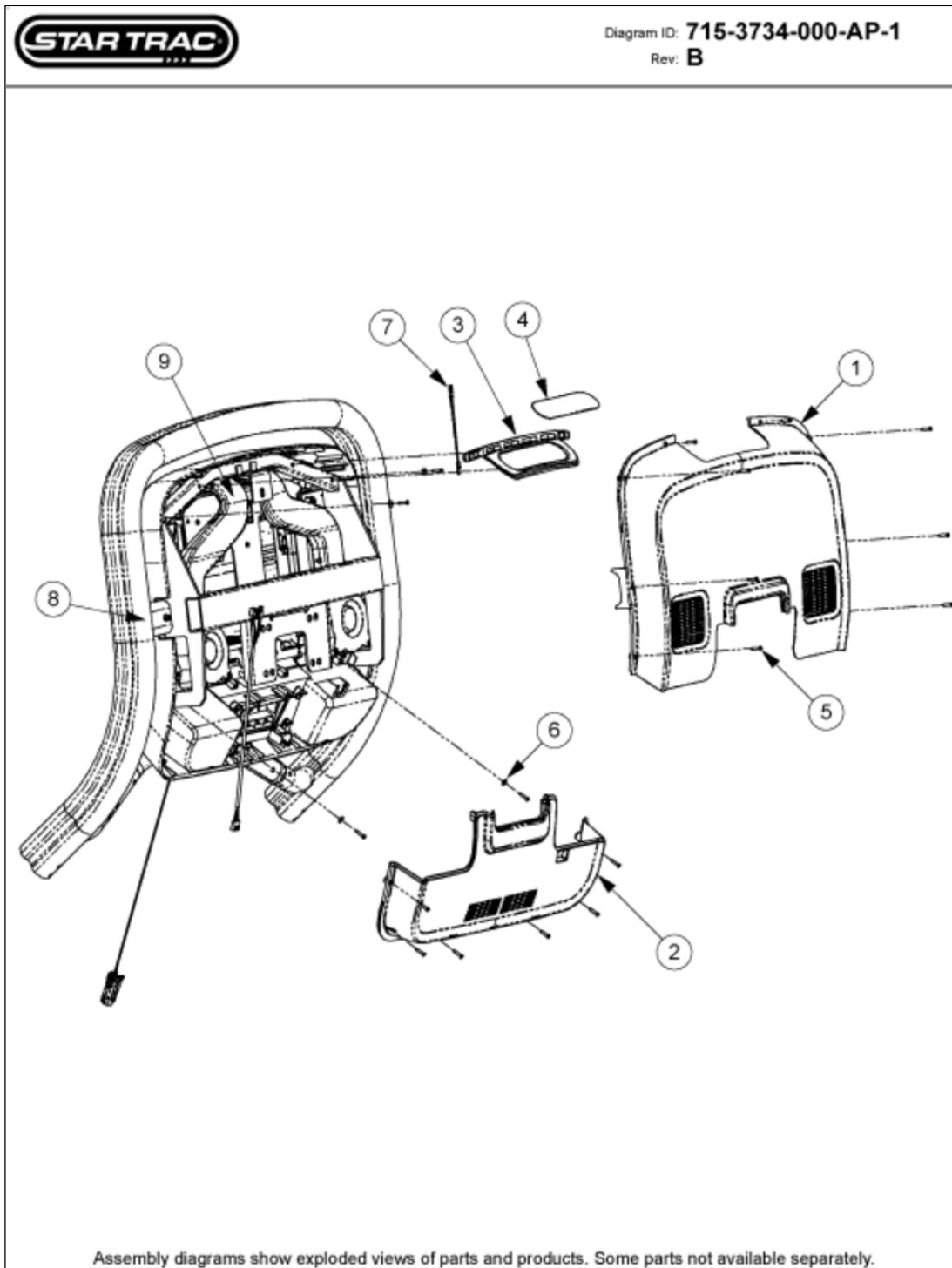
October 23, 2009

CARDIO • Treadmill • E Series Treadmill • E-TR

# Display Assy

## Top Rail

E-TR



# Display Assy

## Top Rail

### E-TR

---

Callout	Part Number:	Description
1	<a href="#">020-7069</a>	REAR, TOP, TR
2	<a href="#">020-7070</a>	REAR, BOTTOM, TR
3	<a href="#">020-7074</a>	CAP, TV BLANK, TR
4	<a href="#">050-2066</a>	LOGO, STARTRAC, VLAD, TR
5	<a href="#">110-3402</a>	SCREW, M4X0.7X19L, PHT, PH, CS
6	<a href="#">120-3307</a>	WASHER, M4, 4.3MMIDX12MMOD
7	<a href="#">715-3676</a>	HARNES, DISP GND STRAP, PRO
8	<a href="#">715-3748</a>	ASSY, FRONT HANDRAIL, E-TR
9	<a href="#">715-3788</a>	ASSY, MAIN CONSOLE, ETR, LED

---

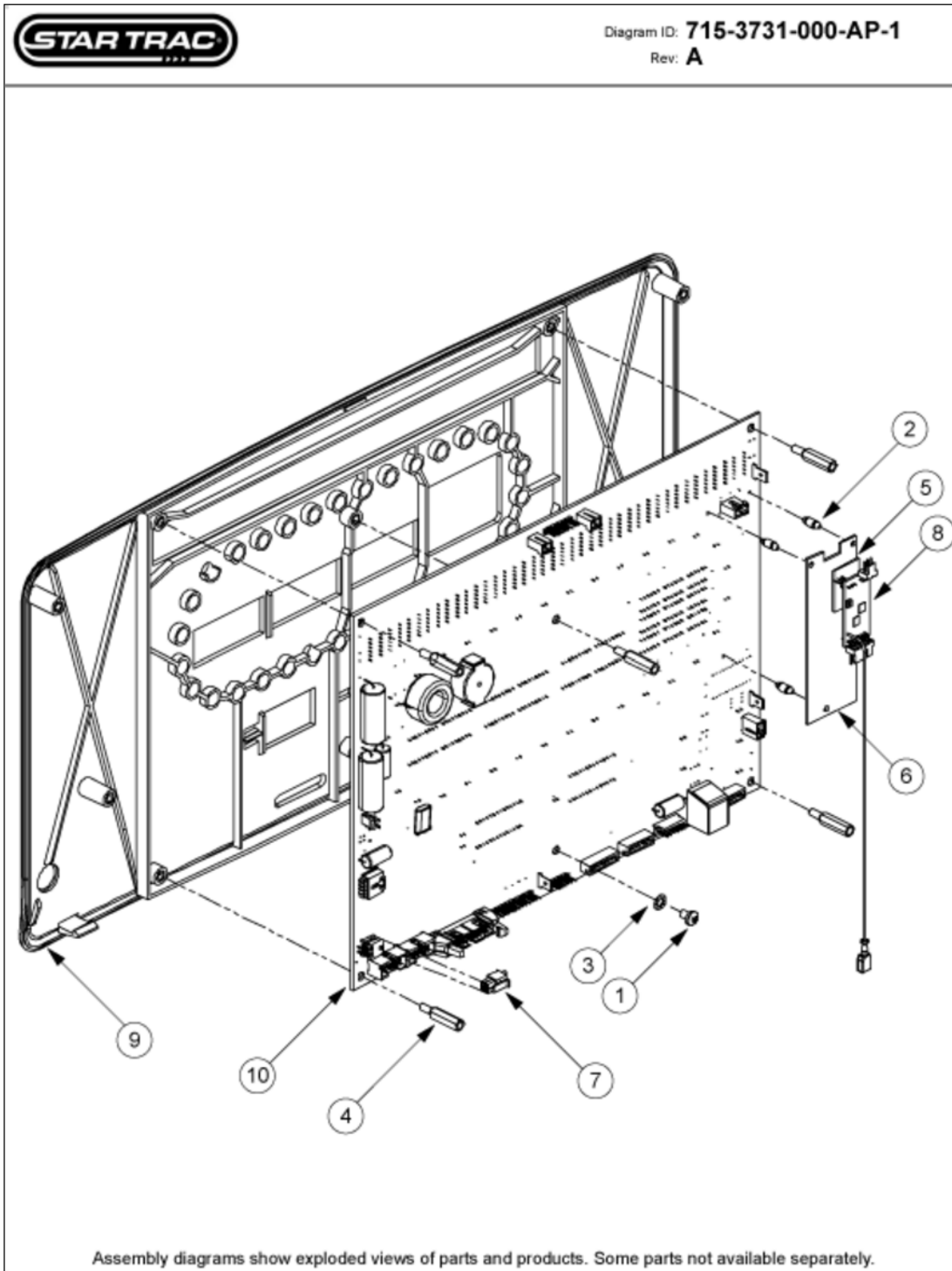
Parts are subject to availability. Part pricing may change with or without notice.  
Check the Star Trac Support Website <http://support.startrac.com> for current part pricing.

October 23, 2009



CARDIO • Treadmill • E Series Treadmill • E-TR

# Display Panel & Elec



Slide: 1-1-13-34 • PD ID: 1034 • PROD Link ID: • D ID: 381

October 23, 2009

# Display Panel & Elec

---

<b>Callout</b>	<b>Part Number:</b>	<b>Description</b>
1	<a href="#">110-3407</a>	SCREW, M4X0.7X 6L, PHM, PH, BO
2	<a href="#">120-3244</a>	STANDOFF, 1/8"DIA X 3/16" NYLO
3	<a href="#">120-3258</a>	<b>*OBSOLETE*</b>
4	<a href="#">120-3315</a>	STANDOFF, M/F, M4X.07-21MM L
5	<a href="#">140-0665</a>	DOUBLE SIDED TAPE
6	<a href="#">140-3330</a>	<b>*OBSOLETE*</b>
7	<a href="#">715-3482</a>	JUMPER, STOP SW BYPASS
8	<a href="#">715-3675</a>	PCBA, SALUTRON 4000, VLAD
9	<a href="#">715-3733-KT</a>	KIT, KEYPAD PLASTIC, OX LED
10	<a href="#">715-3845</a>	ASSY, DISP BOAR LED,USB, E-TR

---

Parts are subject to availability. Part pricing may change with or without notice.  
Check the Star Trac Support Website <http://support.startrac.com> for current part pricing.

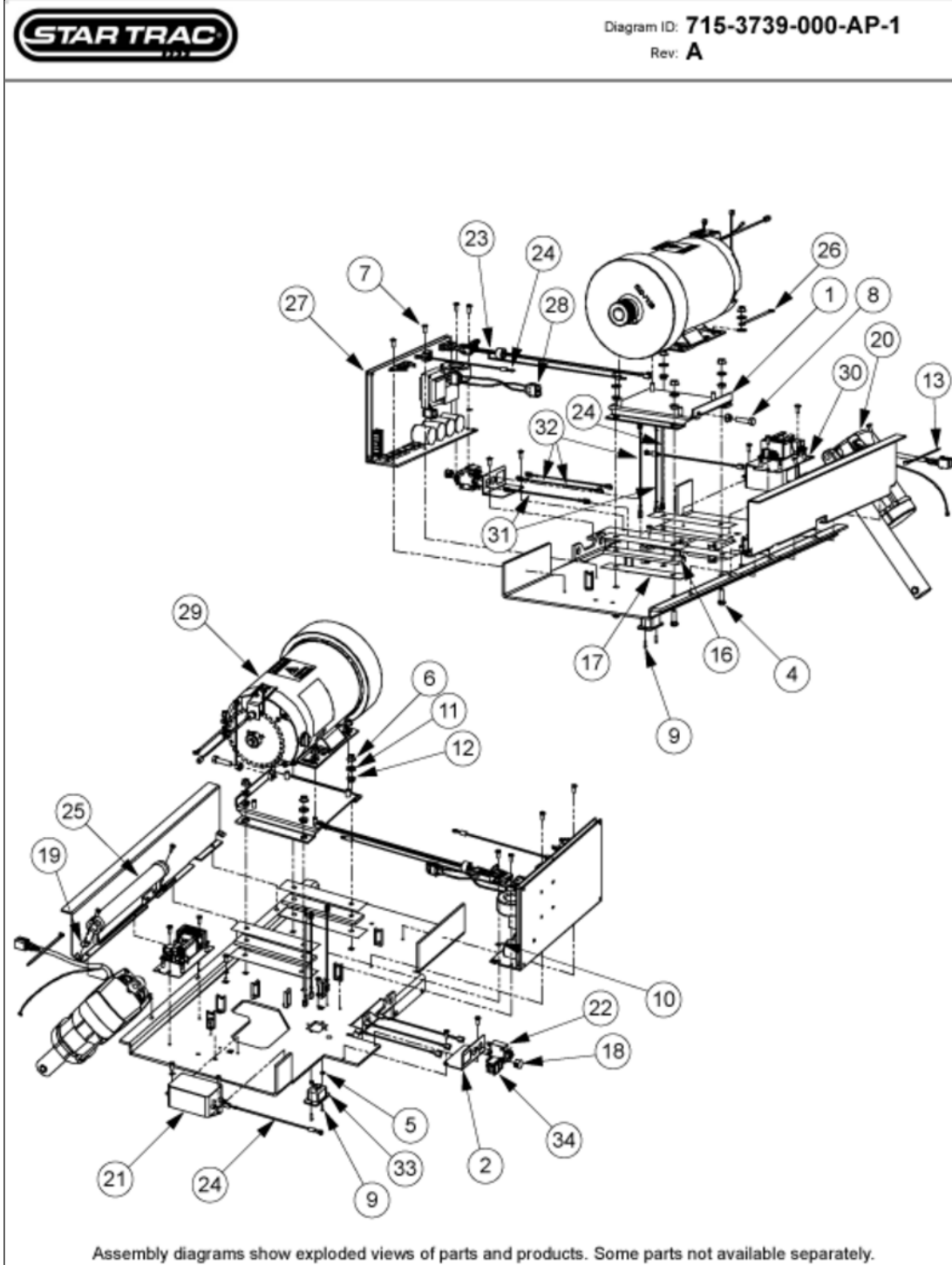
October 23, 2009

CARDIO • Treadmill • E Series Treadmill • E-TR

# Electrical Assy

## Lower (110V 18A)

E-TR



# Electrical Assy

## Lower (110V 18A)

### E-TR

Callout	Part Number:	Description
1	<a href="#">020-7198</a>	BRACKET, MOTOR BASE, FIXE
2	<a href="#">020-7286</a>	BRACKET, SWITCH/BREAKER,E-TR/E-TRX
3	<a href="#">050-0411</a>	LABEL, GROUND UL/CSA
4	<a href="#">110-1516</a>	BOLT, 5/16-18X1.0" CARRIAGE
5	<a href="#">110-1720</a>	NUT, 4-40 KEP
6	<a href="#">110-1870</a>	NUT, 5/16-18
7	<a href="#">110-3026</a>	SCREW, 10-24X3/4" PHTCS
8	<a href="#">110-3076</a>	SCREW, 5/16-18X1.25" HHTS
9	<a href="#">110-3437</a>	SCREW, #4-40, .5, FHM, PH, AS
10	<a href="#">120-0220</a>	WASHER, #10 EXT TOOTH
11	<a href="#">120-3023</a>	WASHER, 5/8IDX1.0"
12	<a href="#">120-3264</a>	WASHER, SHOULDER,5/16IDX.15L
13	<a href="#">140-0200</a>	TIE STRAP 5"
14	<a href="#">140-3232</a>	CLAMP, WIRE, SADDLE, 1.0"
15	<a href="#">140-3234</a>	RIVET, SNAP, .161" HOLE
16	<a href="#">140-3268</a>	GASKET, MOTOR PAD,1.2X.25X7.0
17	<a href="#">140-3270</a>	INSULATOR, MOTOR PAD, MYLAR
18	<a href="#">140-3451</a>	PLUG, BRACKET, SWITCH/BRKR,E-TR/E-TRX
19	<a href="#">170-0688</a>	BRKT, RESISTOR MOUNT
20	<a href="#">260-0941</a>	MOTOR, GEAR, 110VAC, ELEV W/NUT
21	<a href="#">440-0257</a>	EMI FLTR, 110/220V
22	<a href="#">470-0417</a>	BREAKER, THERMAL, 18A
23	<a href="#">715-3412</a>	CABLE, POWER, EMI-MCB
24	<a href="#">715-3457</a>	CABLE, GROUND WIRE
25	<a href="#">715-3588</a>	ASSY, RESISTOR, 200W, 1K OHM
26	<a href="#">715-3611</a>	BLEEDER ASSY, AC UNITS
27	<a href="#">715-3617</a>	MCB, 110V, AC SYSTEM
28	<a href="#">715-3674</a>	CABLE, POWER SUPPLY, AC-SYSTEM
29	<a href="#">715-3481</a>	DISP ELEC, PCB, JPN
30	<a href="#">715-3784-KT</a>	KIT,PWR-SUPPLY 12V/65W, W/BRK
31	<a href="#">715-3801</a>	ASSY, CABLE, NEUTRAL WIRE, E-TRX
32	<a href="#">715-3802</a>	ASSY, CABLE, LINE WIRE, E-TRX
33	<a href="#">740-6083</a>	IEC, CONNECTOR, 110V, 20A
34	<a href="#">740-6116</a>	SWITCH, ON/OFF, 110V, 18A

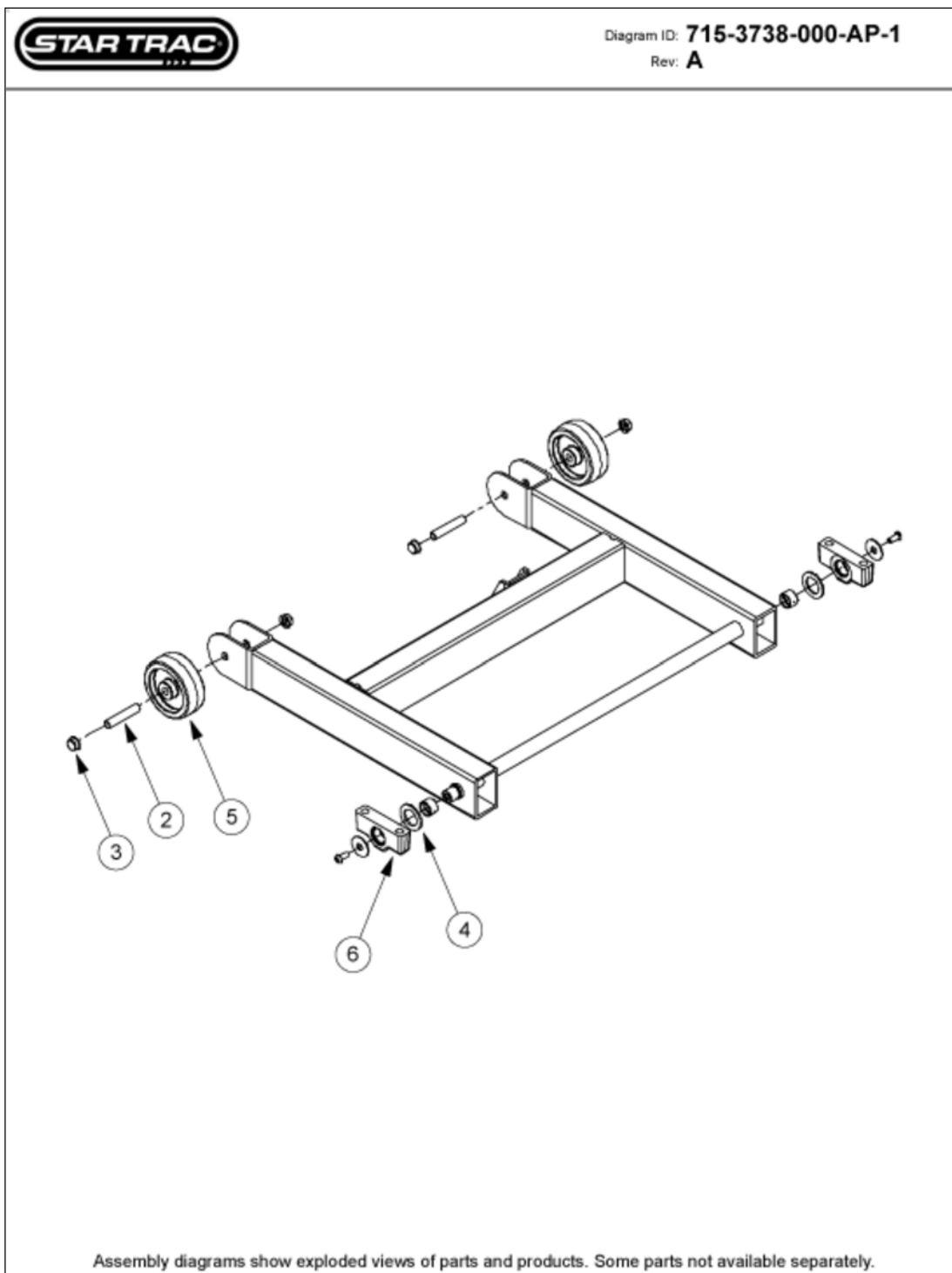
Parts are subject to availability. Part pricing may change with or without notice.  
Check the Star Trac Support Website <http://support.startrac.com> for current part pricing.

October 23, 2009

CARDIO • Treadmill • E Series Treadmill • E-TR

# Elevation Frame Assy

## E-TR



## Elevation Frame Assy

### E-TR

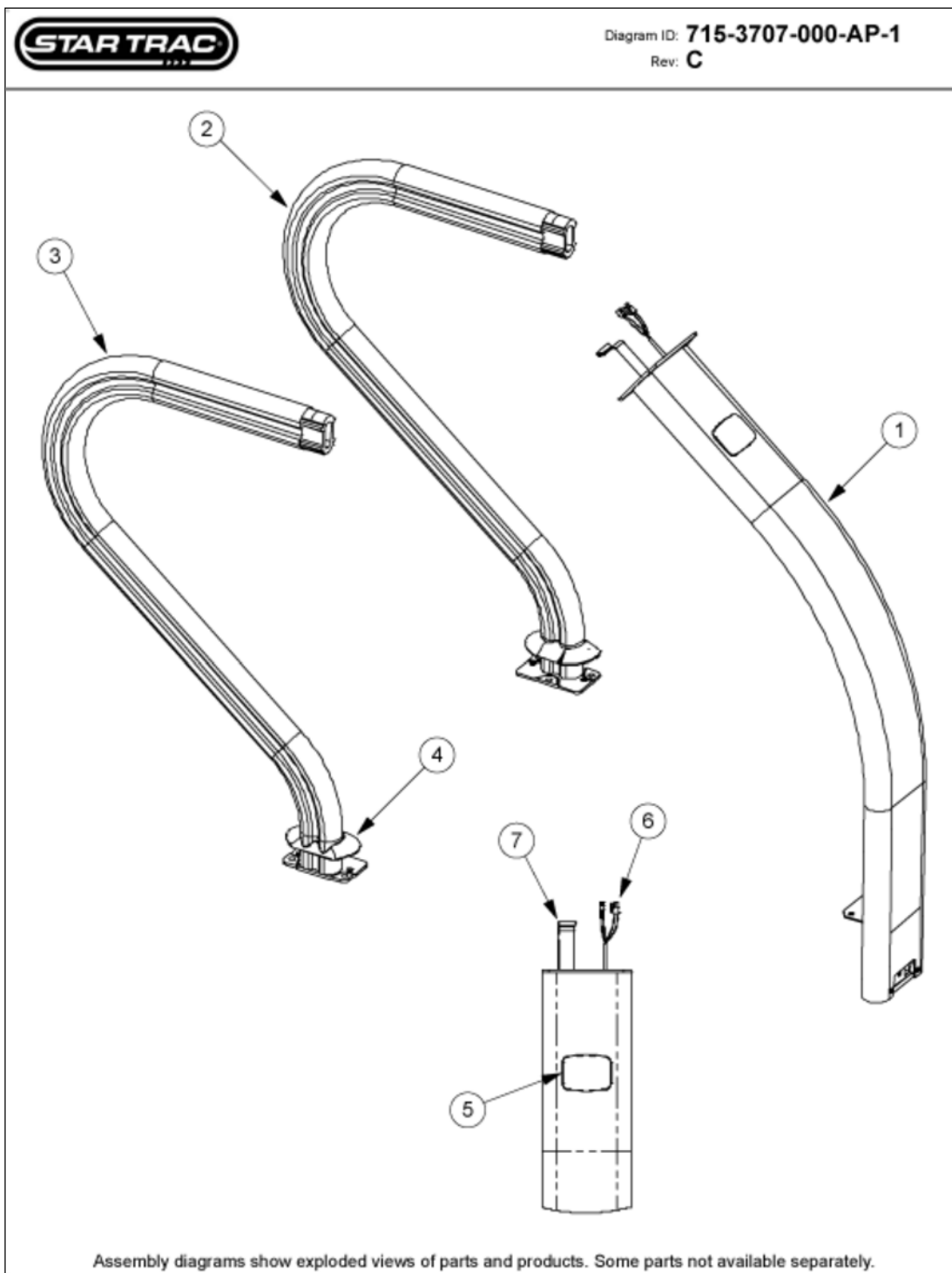
Callout	Part Number:	Description
1	<a href="#">715-3688</a>	ASSY, ELEVATION WELDMENT
2	<a href="#">020-7156</a>	AXLE, ELEVATION, MACH, OX TR
3	<a href="#">110-1415</a>	AXLE PUSH CAP, 1/2"
4	<a href="#">120-3313</a>	WASHER, PLASTIC 1.25X1.75X.125
5	<a href="#">130-1694</a>	WHEEL, 4X1.5X1/2" BORE
6	<a href="#">715-3743</a>	ASSY, PILLOW BLOCK, ELEVATION
7	<a href="#">050-2070</a>	LABEL, SERIAL, TV KIT
8	<a href="#">050-1888</a>	LABEL, PATENT NUMBERS, PRO TR

Parts are subject to availability. Part pricing may change with or without notice.  
Check the Star Trac Support Website <http://support.startrac.com> for current part pricing.

October 23, 2009

# CARDIO • Treadmill • E Series Treadmill • E-TR

## Handrail & Neck E-TR



## Handrail & Neck E-TR

---

Callout	Part Number:	Description
1	<a href="#">020-7035</a>	WELDMENT, FRONT RAIL, ETR
2	<a href="#">020-7179</a>	RAIL, SIDE, LEFT
3	<a href="#">020-7181</a>	RAIL, SIDE, RIGHT
4	<a href="#">020-7233</a>	SEAL, HANDRAIL, ETR
5	<a href="#">050-2083</a>	BADGE, PRODUCT, E-TR
6	<a href="#">715-3678</a>	HARNESS, DC SUPPLY, PRO TR
7	<a href="#">715-3781</a>	TRANSLATOR CABLE

---

Parts are subject to availability. Part pricing may change with or without notice.  
Check the Star Trac Support Website <http://support.startrac.com> for current part pricing.

October 23, 2009



CARDIO • Treadmill • E Series Treadmill • E-TR

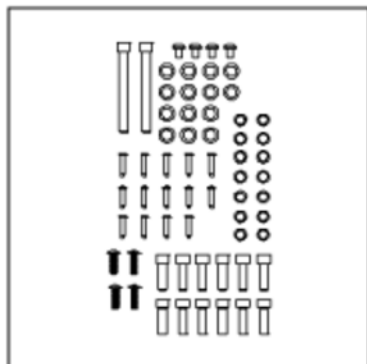
# Hardware Kit

## E-TRe & E-TRx



Diagram ID: 715-3808-000-AP-1  
Rev: A

① Hardware Kit



Assembly diagrams show exploded views of parts and products. Some parts not available separately.

# Hardware Kit

## E-TRe & E-TRx

---

Callout Part Number:	Description
1 <a href="#">715-3808</a>	KIT, TOOLS, INSTALL, E-TRE/X

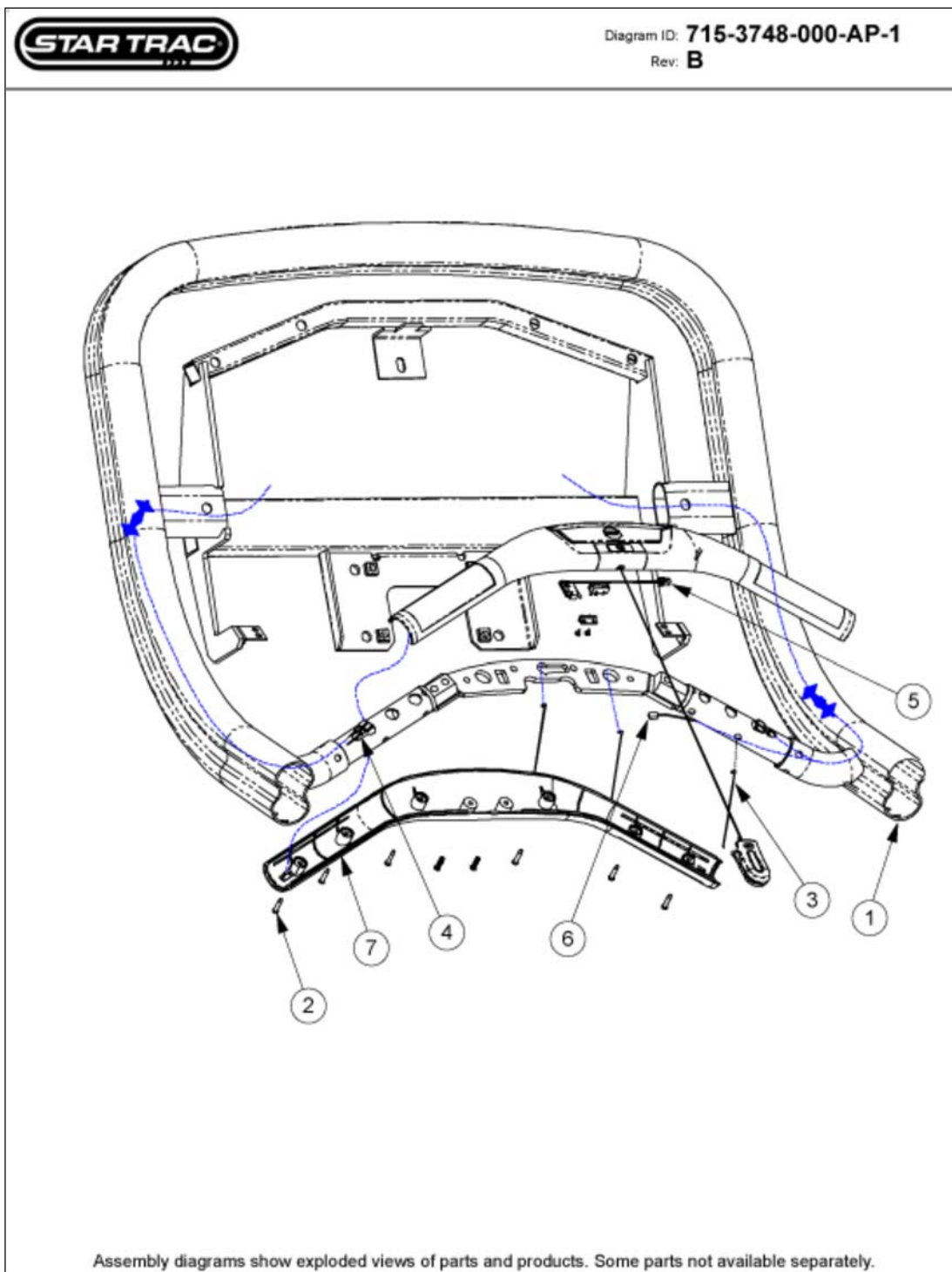
---

Parts are subject to availability. Part pricing may change with or without notice.  
Check the Star Trac Support Website <http://support.startrac.com> for current part pricing.

October 23, 2009

CARDIO • Treadmill • E Series Treadmill • E-TR

# Hotbar Assy



Slide: 1-1-13-34 • PD ID: 1034 • PROD Link ID: • D ID: 388

October 23, 2009

# Hotbar Assy

---

<b>Callout</b>	<b>Part Number:</b>	<b>Description</b>
1	<a href="#">020-7180</a>	WELDMENT, TOP RAIL, ETR
2	<a href="#">110-3402</a>	SCREW, M4X0.7X19L, PHT, PH, CS
3	<a href="#">140-0210</a>	TIE STRAP 3.5"
4	<a href="#">715-3425</a>	SPLITTER, HR GRIP
5	<a href="#">715-3816</a>	CABLE, STOP SW, E-TR, HB
6	<a href="#">715-3817</a>	CABLE, STOP SW, E-TR - DISP
7	<a href="#">740-6186-KT</a>	HOT BAR, ASSY RETRO, S-TR

---

Parts are subject to availability. Part pricing may change with or without notice.  
Check the Star Trac Support Website <http://support.startrac.com> for current part pricing.

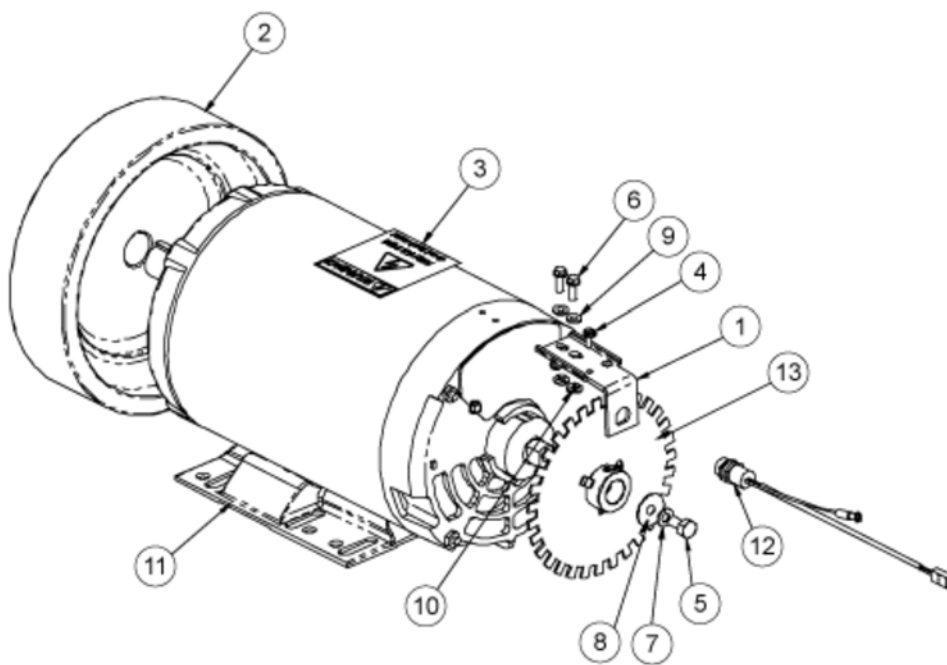
October 23, 2009

CARDIO • Treadmill • E Series Treadmill • E-TR

# Motor Assy 220VAC



Diagram ID: 715-3681-000-AP-1  
Rev: A



Assembly diagrams show exploded views of parts and products. Some parts not available separately.

## Motor Assy 220VAC

Callout	Part Number:	Description
1	<a href="#">020-6563</a>	BRACKET, RPM SENSOR, SUPPORT
2	<a href="#">020-7128</a>	PULLEY, FLYWHEEL, 180J10X.875
3	<a href="#">050-1903</a>	LABEL, WARNING, HIGH VOLTAGE
4	<a href="#">110-0180</a>	<b>*OBSOLETE*</b>
5	<a href="#">110-0580</a>	SCREW, 1/4-20X1/2" HHCS
6	<a href="#">110-3429</a>	SCREW, 8-32X1/2", HHW, TAPTITE
7	<a href="#">120-0420</a>	WASHER, 1/4" LOCK
8	<a href="#">120-0425</a>	WASHER, FLAT, 1/4X7/8ODX.047
9	<a href="#">120-3266</a>	WASHER, #8, SHOULDER, NYLON
10	<a href="#">120-3267</a>	WASHER, #8, RETAINER, NYLON
11	<a href="#">260-0934</a>	MOTOR, DRIVE, 220V 5HP AC
12	<a href="#">560-0069</a>	RPM SENSOR, W/GRND WIRE, AC PT
13	<a href="#">715-3574</a>	RPM DISK, 31 SLOT, AC MOTOR

Parts are subject to availability. Part pricing may change with or without notice.  
Check the Star Trac Support Website <http://support.startrac.com> for current part pricing.

October 23, 2009